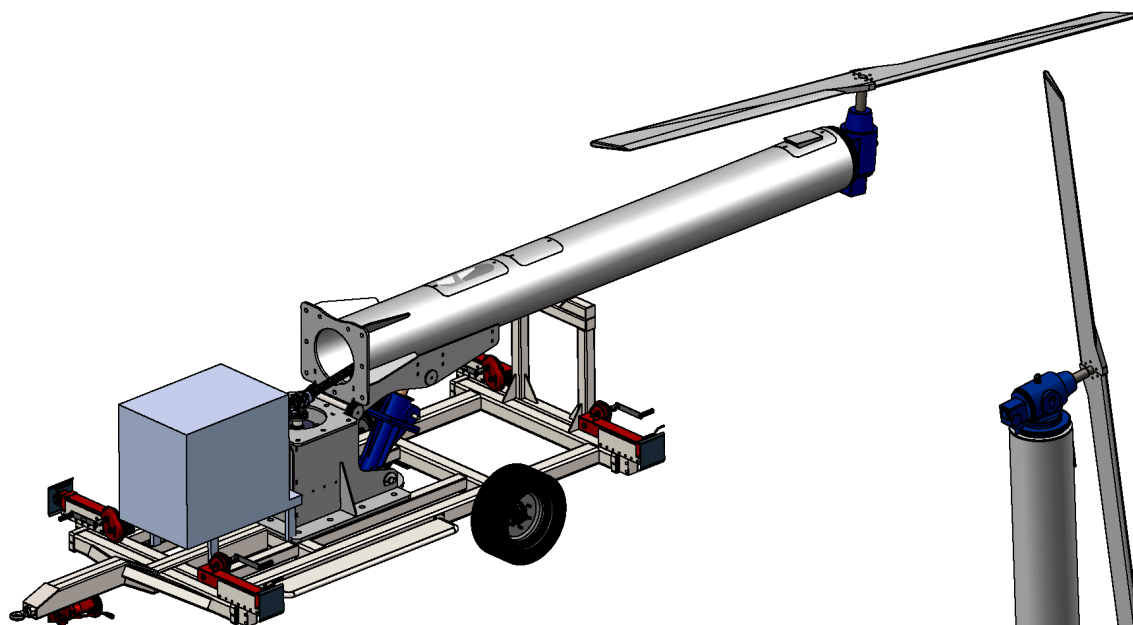


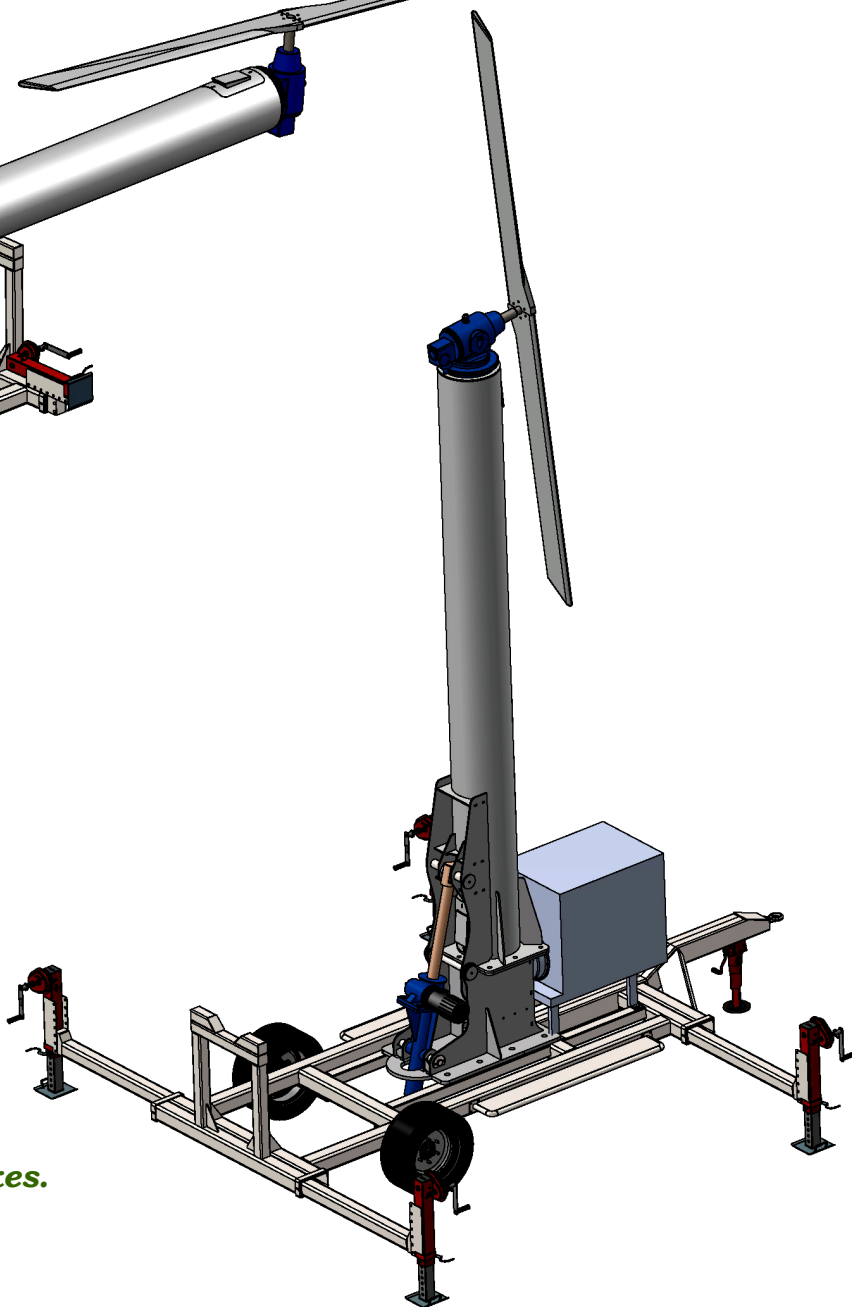


Agrofrost Mobile Wind Machines We cover more ground !

- ◆ *We have the most powerful fan blade on the market.*
- ◆ *Possibility to add several burner units.*
- ◆ *The tower can be laid down and set up hydraulically.*
- ◆ *No need to disconnect the drive line to put up or lay down the tower.*
- ◆ *We cover more ground and provide better protection.*

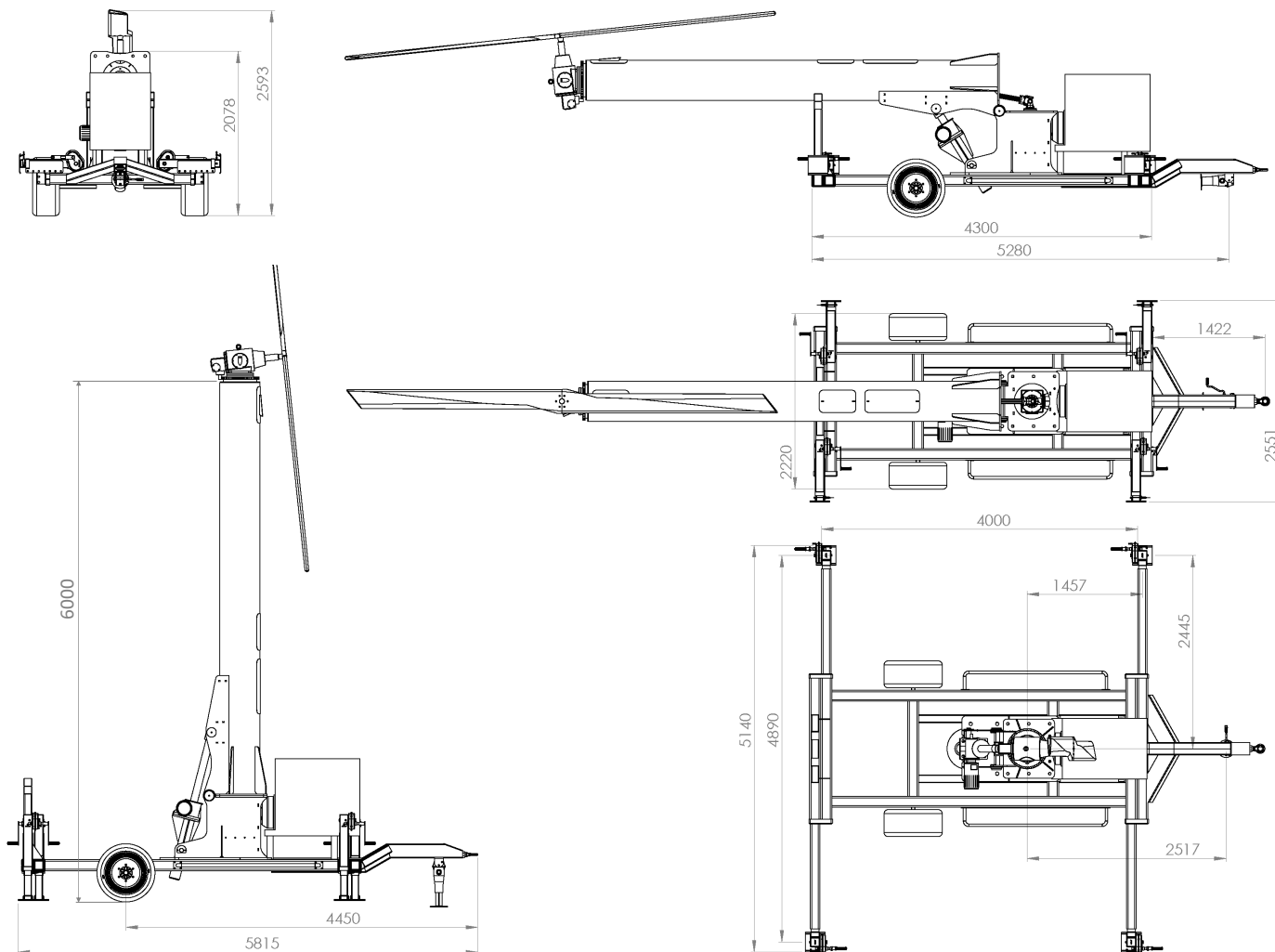


- ◆ *Fast en easy set up.*
- ◆ *Coverage up to 4 ha.*
- ◆ *Auto Start available.*
- ◆ *No permits required.*
- ◆ *Diesel or propane engines.*
- ◆ *Pressure lubricated Gear Boxes.*



In the brochure of our fixed wind machines, you can find more information about the engines, fan blades, drive lines, burners, gear boxes etc.

Dimensions



- ◆ **Fan capacity: ca. 77.000 m³/hour**
- ◆ **Standard engine: Ford V8 - 5.4 L - LPG - 129 hp**
- ◆ **Consumption: 22 kg of propane per hour**
- ◆ **Diameter of propeller: 550 cm**

Contacts		Telephone	E-mail
US, Canada, Australia, New Zealand, Eastern Europe	Marc Polleunis	+48 728 562 373	m.polleunis@gmail.com
France, England, Benelux, Italy, Spain, Portugal, Austria, Switzerland, South America	Patrik Stynen	+32 495 517689 +44 1580 291565	patrik@agrofrost.be

Your dealer:

agrofrost nv
belgium

info@agrofrost.be